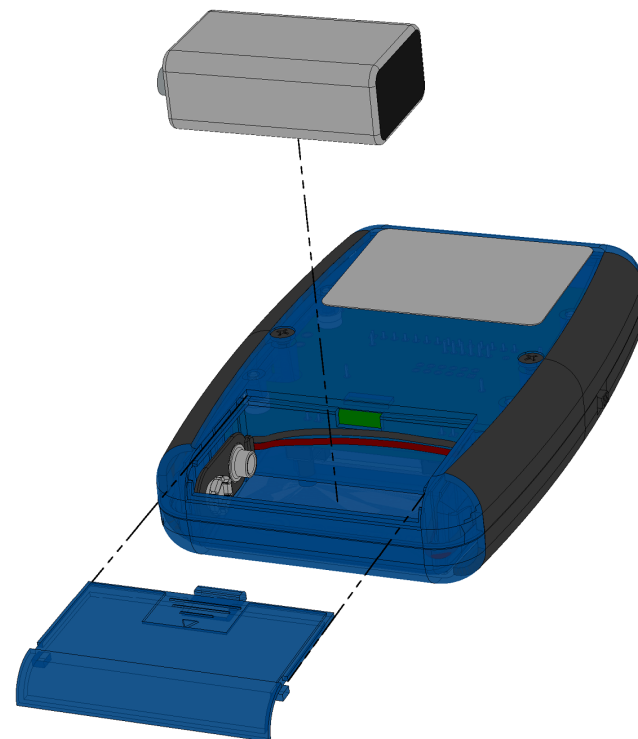
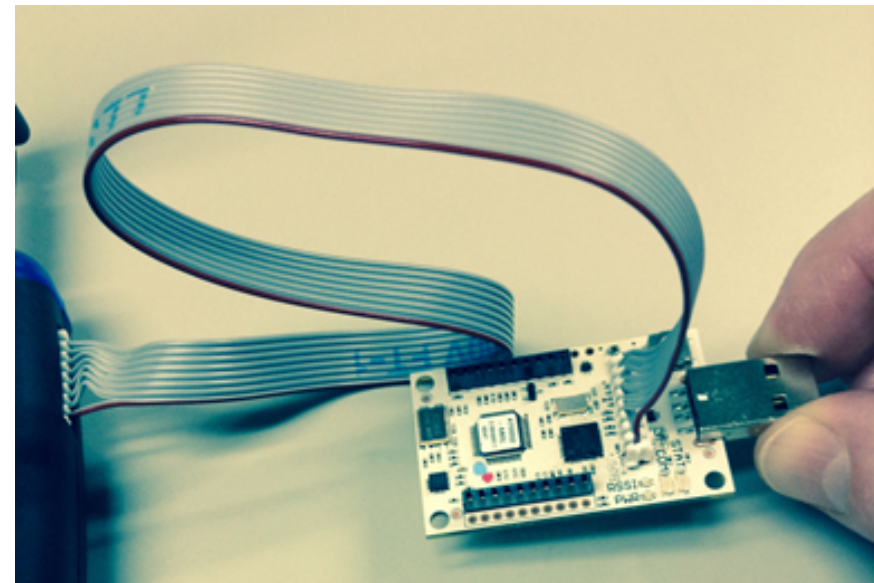


Replacing Battery

Power off the device after use. Battery life is limited.



Configuring the Device



If you want to modify the device settings or reprogram the device, you must order a **Micro Developer Kit (MDK)**, model: MTMDK-ST-MDOT (pictured above), which is sold separately. (Alternatively, a UDK2 can also work. Refer to .net link under **More Information** section.) For programming instructions, visit the mbed.org site: <http://developer.mbed.org/getting-started/>

Note: If you do not want to configure the device, configure your gateway to match these device default network parameters:

- **name:** MultiTech
- **phrase:** MultiTech
- **sub band:** 1 (only applies to US/915 MHz Frequency Band)

For Windows users only, you must install the device driver for the configuration port. See ARM mbed site for installation instructions and files at: <https://developer.mbed.org/teams/st/wiki/ST-Link-Driver>

1. As shown in the photo on the left, connect the device to the **MDK** using the flat programming or ribbon cable (with its red stripe facing you).
2. Connect the **MDK** to a **computer** (via its **USB connector**) after powering up the device.
3. Using your **computer**, connect to the new tty/COM port at 115200 bps.
4. Press **SW1** to select **Configuration** from the **Main Menu**.
5. Enter the AT command you wish to execute. To see information on the entire set of commands, enter **help** or **?**. Otherwise refer to the list of commonly-used AT commands below.

Common AT Commands

Change the Network Name to match your gateway

AT+NI=1,<name>

Change the Network Passphrase to match your gateway

AT+NK=1,<phrase>

Change the Frequency Sub Band to match your gateway (only applies to US/915 MHz Frequency Band)

AT+FSB=<sub band>

Save the configuration changes

AT&W

Note: The gateway can be configured to use the device default network parameters if desired:

- **name:** MultiTech
- **phrase:** MultiTech
- **sub band:** 1 (only applies to US/915 MHz Frequency Band)

6. Hold **SW1** or use **AT+EXIT** to return to the **Main Menu**.

MultiConnect® mDot™ Box (MTDOT-BOX)

Document Part Number: S82000751L Rev 1.0

Copyright and Trademarks

This publication may not be reproduced, in whole or in part, without the specific and express prior written permission signed by an executive officer of Multi-Tech Systems, Inc. All rights reserved. Copyright © 2016 by Multi-Tech Systems, Inc.

Multi-Tech Systems, Inc. makes no representations or warranties, whether express, implied or by estoppels, with respect to the content, information, material and recommendations herein and specifically disclaims any implied warranties of merchantability, fitness for any particular purpose and non-infringement. Multi-Tech Systems, Inc. reserves the right to revise this publication without obligation to notify any person or organization of such revisions or changes.

MultiConnect, MultiTech and the MultiTech logo are registered trademarks of Multi-Tech Systems, Inc. All other brand and product names are trademarks or registered trademarks of their respective companies.

Multi-Tech Systems, Inc

2205 Woodale Drive,
Mounds View, Minnesota 55112 U.S.A.

Phone: 763-785-3500 or 800-328-9717

Fax: 763-785-9874

Support

Support Portal

<https://support.multitech.com>

Europe, Middle East, Africa:

support@multitech.co.uk

+(44) 118 959 7774



Knowledge Base

<http://www.multitech.com/kb.go>

U.S., Canada, all others:

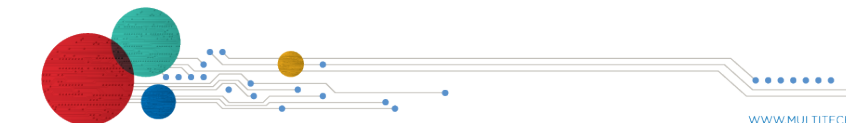
support@multitech.com

(800) 972-2439 or (763) 717-5863

Business Hours: M-F, 8am to 5pm CT



MultiConnect® mDot™ Box MTDOT-BOX Quick Start



Product Overview

The MultiConnect® mDot™ Box (MTDOT-BOX) provides a portable, handheld LoRa end-point. You can use the device for: 1) a LoRa demonstration that tests an IOT application prototype or proof-of-concept, or 2) a site survey tool. With a site survey, the device performs a link check gathering data at various power levels and data rates.

Safety and Regulatory Content

For safety and regulatory content, refer to the Developer Guide for your model.

Package Contents

Your MultiConnect® mDot™ Box (MTDOT-BOX) includes the following:

Power Supply	1 - Battery, 9V
Cables	1 - 8 Position Flat Programming Cable
Antennas	1 - Dual frequency 868-915 MHz RP-SMA, 8" antenna (external, manufacturer: Pulse Electronics, MultiTech Part Number: 45009830L)

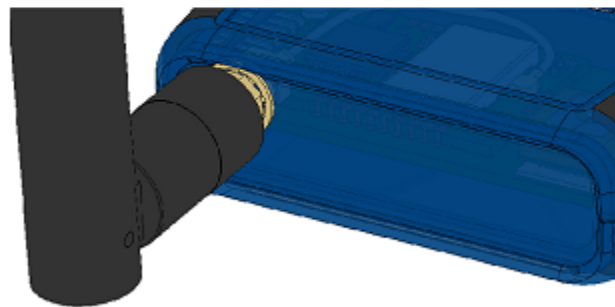
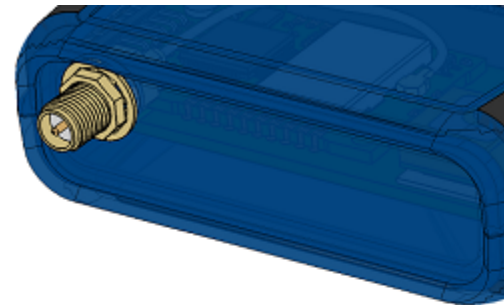
Device	1- MultiConnect® mDot™ Box (MTDOT-BOX) 4.61" x 3.11" x .94" Blue and black enclosure includes: <ul style="list-style-type: none"> ■ Power switch on left side of box ■ 8-pin connector on right side of box (for configuration, programming and debugging) ■ SMA connector (for external antenna) ■ LCD display ■ SW1 and SW2 buttons (to select modes of operation) ■ LS (Light sensor) ■ LED1 (red = network not joined, green= network joined) ■ LED2 (no light = no GPS, flashing blue = no GPS lock, blue = GPS lock) ■ GPS antenna (internal) ■ Internal Sensors (see Internal Sensors section for more details)
Customer Notices	Quick Start

More Information

For more information, visit the device page on MultiTech's Developer site at: www.multitech.net/developer/products/multiconnect-mdot-box-and-evb/ and the mbed site at: <https://developer.mbed.org/platforms/mdotevb/>

Antenna Connection

Caution: To avoid damage, only finger-tighten the antenna to the connector. Do not use any tools.



Device Startup

The device requires a gateway and must first join it to execute functions. In order to join, the gateway and the device must match configurations (network type, network name, network pass phrase, frequency band [not configurable, either 915 or 868 MHz] and frequency sub band). See **Configuring the Device** section.

To start up the device:

1. Power on the device using the switch on the left side.
 - The screen displays the MultiTech logo and product name. The **LED1** flashes green then turns red.
 - If the device has GPS, it performs GPS detect and lock (this may take a few minutes). The **LED2** continues flashing until GPS lock and then remains blue.
 - The screen displays the product name and **Select Mode** with the following menu options:

MTDOT-BOX/EVB	
Select Mode	
Survey single	
Survey sweep	
=> LoRa demo	
Configuration	
Scroll	Select
o	o
SW2	SW1

- **Survey Single:** A single link check transaction with the gateway. The device

sends a request message to the gateway and the gateway returns a response.

- **Survey Sweep:** A series of Survey Single operations across a range of data rate and TX power combinations.
- **LoRa demo:** LoRa Demo Mode demonstrates typical device usage. Sensor data is gathered and updated in real time. The device sends the sensor data to the gateway periodically or on a button press, depending on the mode selected. See **Internal Sensors** section for details.
- **Configuration:** Modify the device settings using AT commands. See **Configuring the Device** section.

2. To scroll through the menu options, push the **SW2** button (labeled **Scroll**) to move the selection arrow =>.
3. To select a menu option, push the **SW1** button (labeled **Select**) when the selection arrow is on your desired option.

Internal Sensors

The device contains several internal sensors whose data is sent based on user input (when using **LoRa Demo**). The screen displays data from the following:

1. **Accelerometer:** displays the x, y and z positions of the device in g-force (g).
2. **Pressure:** displays barometric pressure in kilopascals (kPa).
3. **Altimeter:** displays elevation in meters (m).
4. **Temperature:** displays temperature in degrees Celsius (C).
5. **Light:** displays illuminance in lux (lx).