

MClimate PIR mini LoRaWAN®

User manual

**Scan the QR Code
to access MClimate PIR
mini LoRaWAN®
extended
documentation**



mclimate.eu/lorawan-resources

**Need
some help?**

For more product information
and issues related to it, visit:
mclimate.eu/lorawan-resources

or write us to:
lorawan-support@mclimate.eu

 **00359 800 3 1010**
Monday-Friday 09:00 - 18:00

 **Sofia, Bulgaria**
Sofia Tech Park,
labs building, floor 1

Bulgarian

За да разберете как се инсталира MClimate PIR mini LoRaWAN®, сканирайте QR кода или посетете линка до него.

Italian

Per installare MClimate PIR mini LoRaWAN® scannerizzare il codice QR oppure aprire il link al suo lato.

Swedish

För att ta reda på hur du installerar MClimate PIR mini LoRaWAN®, skanna QR-koden eller besök länken bredvid den.

German

Um herauszufinden, wie man MClimate PIR mini LoRaWAN® installiert, scannen Sie den QR-Code oder besuchen Sie den Link daneben.

Dutch

Om te weten te komen hoe u MClimate PIR mini LoRaWAN® installeert, scan de QR-code of bezoek de link ernaast.

Czech

Chcete-li zjistit, jak nainstalovat MClimate PIR mini LoRaWAN®, prohlédněte si kód QR nebo navštivte odkaz vedle něj.

Polish

Aby dowiedzieć się, jak zainstalować MClimate PIR mini LoRaWAN®, zeskanuj kod QR lub odwiedź link obok niego.

Finnish

Tutustu MClimate PIR mini LoRaWAN®-laitteen asentamiseen, skanna QR-koodi tai vierailla sen vieressä olevassa linkissä.

French

Pour savoir comment installer MClimate PIR mini LoRaWAN®, scannez le code QR ou visitez le lien à côté de celui-ci.

Spanish

Para saber cómo instalar MClimate PIR mini LoRaWAN®, escanee el código QR o visite el enlace al lado.

Table of content

What's inside the box?

01

What is in the box? **2**

02

Technical details, Safety instructions, Legal Notices & Compatibility **3**

03

Device Parts, Mechanical dimensions **4**

04

LED, Buttons and behaviour **5-6**

05

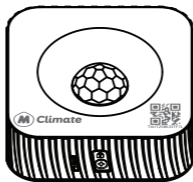
Commissioning **7-8**

06

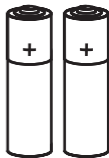
Placement guidelines **9**

07

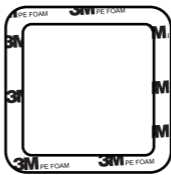
Installation **10**



MClimate PIR mini Sensor
LoRaWAN®



2xAA Batteries
Energizer Lithium
Ultimate L91



3M mounting
double-sided tape



Secure bolt

Technical specifications

Description: LoRaWAN® PIR Sensor

Model: MC-LW-PIR-MINI-01-BI

Dimensions: 57.5mm x 57.5mm x 21.7mm

Weight: 34gr

Frequency range: 863÷870MHz

LoRaWAN® Device type: Class A End-device

Power supply: 2xAA batteries 1,5VDC

Sensors: Temperature and humidity sensor, PIR sensor, LUX sensor

Work temperature: 0°C to +60°C

Material: PC/ABS

Environmental conditions, in which the device is intended to operate:

- Indoor using;
- for altitude up to 2000m;
- for an ambient temperature: 0°C to +60°C;
- for maximum relative humidity of 80% for temperature up to 31°C, decreasing linearly to 25% relative humidity at temperature 50°C;
- for environment with a degree of contamination 2 (PD2).

Storage and transportation conditions:

- for an ambient temperature: -40°C to +85°C;
- for relative humidity 5% to 90% without condensation

Manufacturer

MClimate Jsc, 1784 Sofia, Sofia Tech Park, Labs Building, 111J Tsarigradsko Shose

Compliance with the WEEE Directive

The appliance marked with this symbol should not be disposed of with other household waste. It must be handed over to the relevant collection point for the recycling of electrical and electronic equipment.

▲ Safety Instructions

Please read the safety instructions before installing the device! Failure to follow the recommended instructions in this manual may be dangerous or in violation of the law. The manufacturer MClimate Jsc., is not responsible for any loss or damage caused by failure to follow the instructions in the operating manual.

Legal Notices

All information, including but not limited to, features, functionality, and / or other product specifications are subject to change without notice. MClimate retains all rights to review or update its products, software or documentation without being required to notify any natural or legal person.

The MClimate and MClimate logo are trademarks of MClimate Jsc. All other brands and product names mentioned herein are trademarks of their respective owners.

EU Declaration of Conformity

This device complies with the essential requirements and other applicable provisions of the following EU directives:

2014/35/EU (LVD)

EN IEC 62368-1

2014/30/EU (EMC)

EN 301 489-1

EN 55032

EN 55035

2014/53/EU (RED)

EN 300 220-2 V3

Compatibility

In order to operate MClimate PIR mini

LoRaWAN®, you will need:

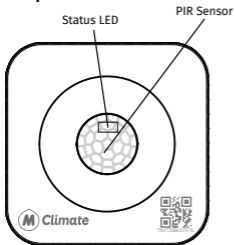
LoRaWAN® network

Battery (2xAA battery 1,5VDC)

Device operating voltage: 2.7 - 3.6VDC



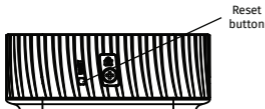
Device parts



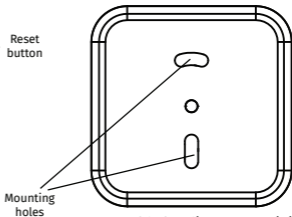
Assembled MClimate PIR mini
LoRaWAN®, front view



Disassembled MClimate PIR mini
LoRaWAN®, back view



Assembled MClimate PIR mini
LoRaWAN®, side view



Assembled MClimate PIR mini
LoRaWAN®, back view

LED, Buttons and behaviour

Start-up behavior

The device starts when you insert the two AA batteries or when you remove the batteries pull tab. Power-on is indicated by the Status LED lighting up in blue for 2s.

The device immediately sends a LoRaWAN Join-Request on SF12. While it is waiting for a Join-Accept from the LNS, the Status LED blinks briefly in yellow every 1s.

If the join procedure has been successful, the LED shows solid green color for 3 seconds.

Using the Reset button during installation

If you observe the Status led after you initially power-on the device, you won't have to use the Reset button to check the LoRaWAN connectivity status.

- If you are servicing a site and need to understand if the device is connected to the LoRaWAN network, you can press the reset button briefly.
- If it shows solid indication for 3 seconds, then it is connected to a LoRaWAN network.
- If blinks briefly every 1s, it means that the device has not received a Join-Accept from

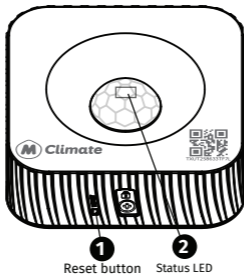
Data transmissions

Once joined, the device will execute four types of transmissions:

- Periodic, as configured
- When the PIR sensor detects a movement and occupancy is false.
- When the "Occupancy timeout" expires
- When the reset button is clicked.

All transmissions are subject to complying with the duty-cycle limitations of LoRaWAN end-devices.

LED, Buttons and behaviour



Reset button Status LED

#	Button	Function
1	Brief press 1 , up to 10s	When pressed quickly, the LED 2 shows the LoRaWAN connectivity status and the device checks the Temperature & Humidity levels. If it is connected the measurements are send.
2	Long press 1 , 10s and more	When pressed for 10s the device resets, triggering a Join Request on SF12. Performing a Reset IS NOT equal to factory reset. All configured parameters are preserved.

Commissioning

- 1 Open your LoRaWAN® Network provider access panel and add the device using the supplied Serial Number, DevEUI, AppEUI (JoinEUI) and AppKey.

Device ID:	9X7L2195
DevEUI:	70B3D25D130009E1
AppEUI:	70B3D25D13000000
AppKey:	A0658DFAE721375AFC12A8BC11

Register



The data is example.
Do not use.

- 2 Continue the Installation with the instructions of your LoRaWAN® Network provider.

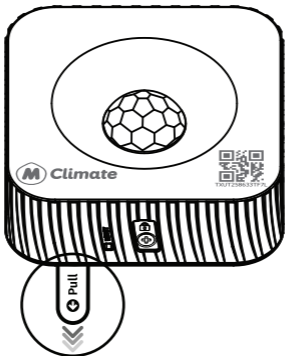
MClimate_LoRaWAN_51177

Serial Number	DevEui	AppEui	AppKey
GW1000000000000000	70B3D25D130009E1	70B3D25D13000000	5fc31111111111111111111111111111

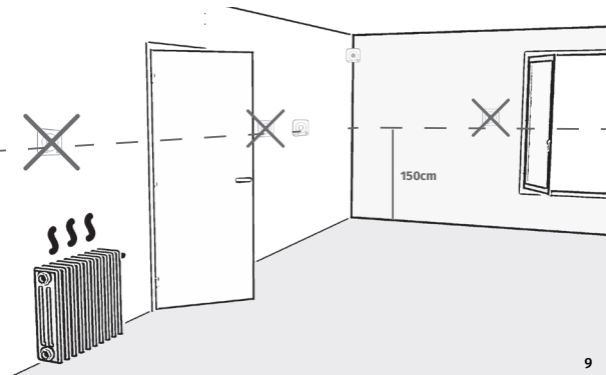
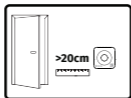
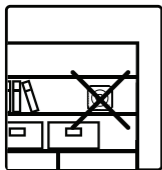


You can get DevEUI, AppEUI (JoinEUI) & AppKey information from the LoRaWAN® credentials .csv file we sent you with the fulfillment confirmation.

- 3 After pulling away the protective film from the batteries, the device will automatically connect to the network. In order to see whether the device has connected to the network, please check **LED, Buttons and behaviour**.



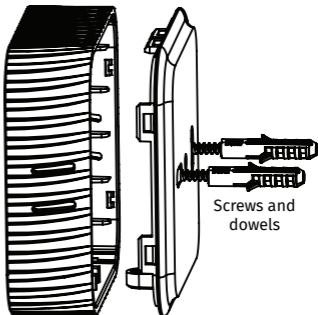
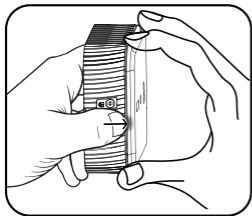
Placement guidelines



Installation

We recommend installing the device in an open environment (e.g. not in a recess) at 1.5m height. Do not install the device near big metal items as it will worsen the RF performance. Use double-sided tape to attach it to the surface or screws and dowels to attach the wall-mounting plate in a more permanent manner.

Once you've secured the wall-mounting plate either with the included 3M tape or with screws and dowels, place the main device part on top and press until it clicks in place.



Secure bolt

Screws and
dowels



Climate



We
make any
building
smart.

www.mclimate.eu

Designed & Manufactured by MClimate in Europe.

last update: 01.04.2026