



WFX-360 SERIES

WIRELESS

360° Wireless Ceiling Mount
Passive Infrared Detector



WIRELESS 360° CEILING MOUNT PIR

The wireless WFX-360 is an extremely cost effective yet uncompromising battery operated 360° ceiling mount passive infrared detector. It provides up to 40' diameter detection range with up to 7 years of battery life and includes an OPTEX designed hard spherical lens that provides full detection in its coverage area and protects against false alarms. With a sleek & compact design that suits all types of installation applications, the WFX-360 features 4 different models compatible with Honeywell 5800 Series, DSC 433MHz, 2GIG, and Interlogix/QOLSYS wireless systems.



WFX-360 SERIES



360° Wireless Ceiling Mount Passive Infrared Detector

WFX-360HW

Works with Honeywell® 5800 Wireless Systems

WFX-360DS

Works with DSC® 433MHz Wireless Systems

WFX-3602G

Works with 2GIG® Wireless Systems

WFX-360IX

Works with Interlogix® & QOLSYS® Wireless Systems



*Product is not produced by, endorsed by, nor is officially associated with Honeywell, DSC, 2GIG, Interlogix, or QOLSYS.

FEATURES

OPTEX Designed Hard Spherical Lens

The WFX-360's hard spherical lens is designed with precision - an original feature that enables this detector to provide reliable detection throughout its 360° area.

False Alarm Protection

The WFX-360 prevents false alarms caused by environmental changes or insensitivity to high temperatures.

RFI Protection

No alarm at 20V/m from 100MHz. to 1GHZ

Temperature Compensation

Noise Reduction Circuit

Selectable Pulse Count for Sensitivity Adjustments

Advanced Quality Control

Computerized S.M.D. Technology using robotics to mount miniaturized chip components ensures a smooth and uniform production level of high quality.

Quality control test on every circuit board. All circuit boards sustain a "burn-in" test for many hours.

Battery life

3 years (720 events per day) **to 7 years** (240 events per day)

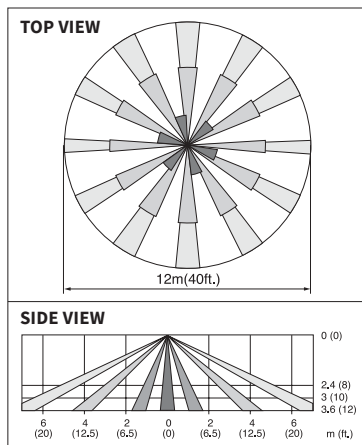
Other Features

LED On/Off Switch

Includes Built In Transmitter for

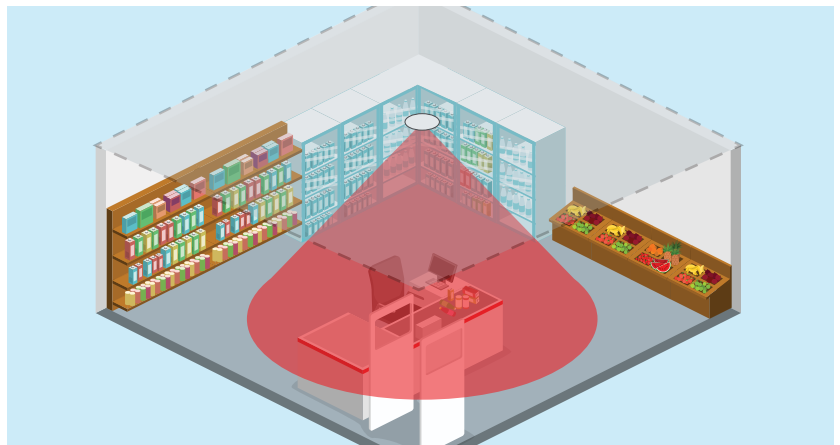
Honeywell 5800, DSC 433 MHz, 2GIG, Interlogix, and QOLSYS Wireless Systems

DETECTION PATTERNS



Maximum Detection AREA

Installation Height ft(m)	Detection Area (Diameter) ft(m)
8 (2.4)	25 (8)
10 (3)	32 (10)
12 (3.6)	40 (12)



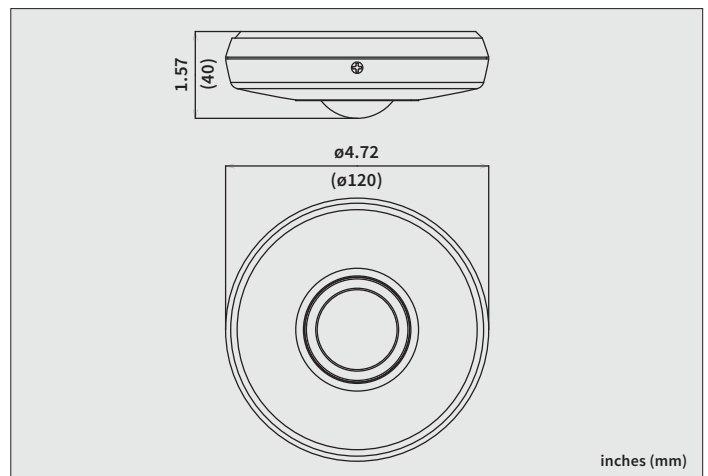
SPECIFICATIONS

MODEL	WFX-360HW	WFX-360DS	WFX-3602G	WFX-360IX
DETECTION METHOD	Passive infrared			
COVERAGE	25ft - 40ft / (8m - 12m) Height 8ft - 12ft / (2.4m - 3.6m)			
DETECTION ZONES	62 zones			
SENSITIVITY	3°F (1.6°C) at 2ft / sec (0.6m/sec)			
DETECTABLE SPEED	1 - 5ft/sec (0.3 - 1.5m/sec)			
LED INDICATOR	Switch-able ON/OFF			
TAMPER SWITCH	Form C (micro switch)			
PULSE COUNT	Approx. 20 sec 2 or 4			
BATTERY	1 x CR123A Lithium battery			
BATTERY LIFE	3 years (720 events per day) 7 years (240 events per day)			
OPERATING TEMPERATURE	-4°F - +122°F (-20°C - +50°C)			
ENVIRONMENT HUMIDITY	85% Max			



*Specifications & design are subject to change without prior notice.
Note: This unit is designed to detect movement & activate an alarm control panel. Being only a part of a complete system, we cannot assume responsibility for theft or damages should they occur.

DIMENSIONS



facebook.com/
optexamerica



@optexamerica



linkedin.com/
company/optex

OPTEX INCORPORATED (USA)

18730 S Wilmington Ave #100
Rancho Dominguez, CA 90220

800.966.7839
optexamerica.com